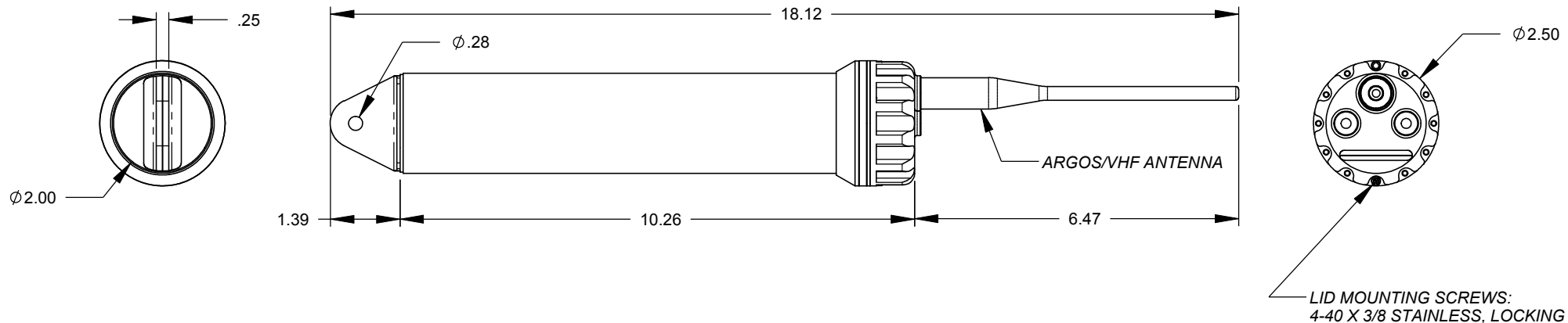
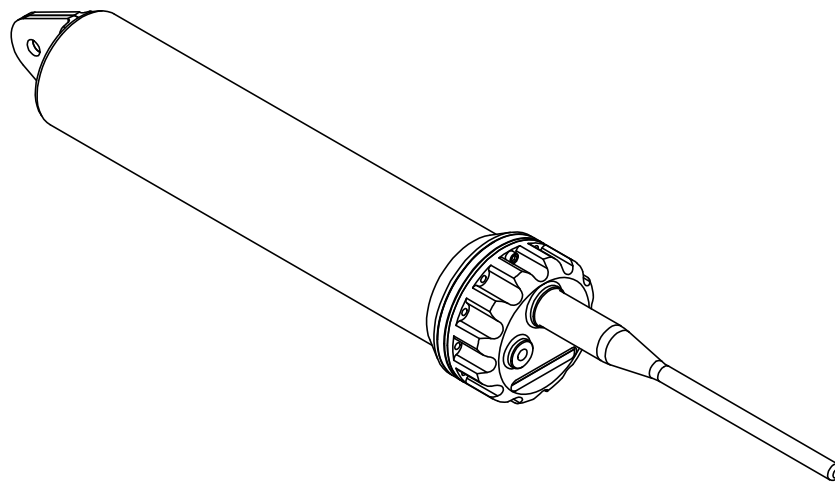


THE INFORMATION CONTAINED ON THIS DOCUMENT IS PROPRIETARY TO TELONICS, INC. - ANY USE OR DIVULGATION OF ANY OF THIS INFORMATION WITHOUT WRITTEN CONSENT FROM AN OFFICER OF TELONICS INC. IS FORBIDDEN.

REVISIONS

REV	DESCRIPTION	E.C.O.	DATE	BY/APPD



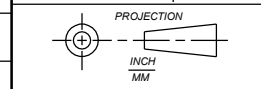
UNLESS OTHERWISE SPECIFIED
DIMENSIONS ARE IN INCHES.
TOLERANCES ARE:
XX ± .01
XXX ± .005
XXXX ± .0020
ANGLES ± 0°30'

APPROVALS	DATE
DRAWN A. SAUM	2010.08.02
DFT CHK	
MFG CHK	

TELONICS
932 E. IMPALA AVE. MESA AZ. 85204

DESCRIPTION
**TRANSMITTER, uGPSI, ARGOS, VHF
TGM-4685**

MATERIAL	APPROVAL
FINISH	



SCALE 1:3	SIZE A	DRAWING NUMBER CM007876	REV -
FORMERLY	SHEET 1 OF 1		